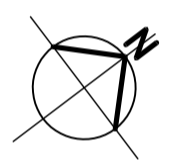


NOTES

- GENERAL**
1. ALL WORKS TO BE CONSTRUCTED IN ACCORDANCE WITH THESE NOTES, THE SABS 1200 STANDARDIZED SPECIFICATION, AS WELL AS THE PROJECT SPECIFICATION.
 2. THIS DRAWING TO BE READ TOGETHER WITH ALL RELEVANT ARCHITECT'S AND/OR ENGINEER'S DRAWINGS AND SPECIFICATIONS.
 3. ALL DETAILS AND DIMENSIONS SHOWN ON THIS DRAWING ARE SUBJECT TO CONFIRMATION ON SITE AND DURING CONSTRUCTION.
 4. ALL CONSTRUCTION WORK TO, OR ADJACENT TO, EXISTING SERVICES, TO BE CARRIED OUT IN STRICT ACCORDANCE WITH THE REQUIREMENTS OF THE RELEVANT AUTHORITIES.
 5. WHERE APPLICABLE, ALL WORK IN PUBLIC RESERVES SHALL BE CARRIED OUT IN ACCORDANCE WITH THE CITY ENGINEERS' STANDARD SPECIFICATIONS FOR ROAD WORKS - DATED FEB. 1975 AND SUPPLEMENT DATED OCT. 1985; SEWER AND STORMWATER DRAINAGE INTERCEPTORS, TYPE DRAWINGS RO/2272/1-8; AND WATERWORKS SPECIFICATIONS AND DRAWINGS.

SCALE - 1:250



rev	date	details
B	30-03-2011	REINFORCING TO BOUNDARY WALL ADDED. FENCE POST FIXING AND TEMPORARY SITE HOARDING ADDED.
A	13-08-2010	LAYOUT AND DETAILS AMENDED

THE DETAILS AND DESIGN SHOWN ON THIS DRAWING ARE COPYRIGHT AND REMAIN THE PROPERTY OF DE VILLIERS SHEARD.

de Villiers Sheard cc

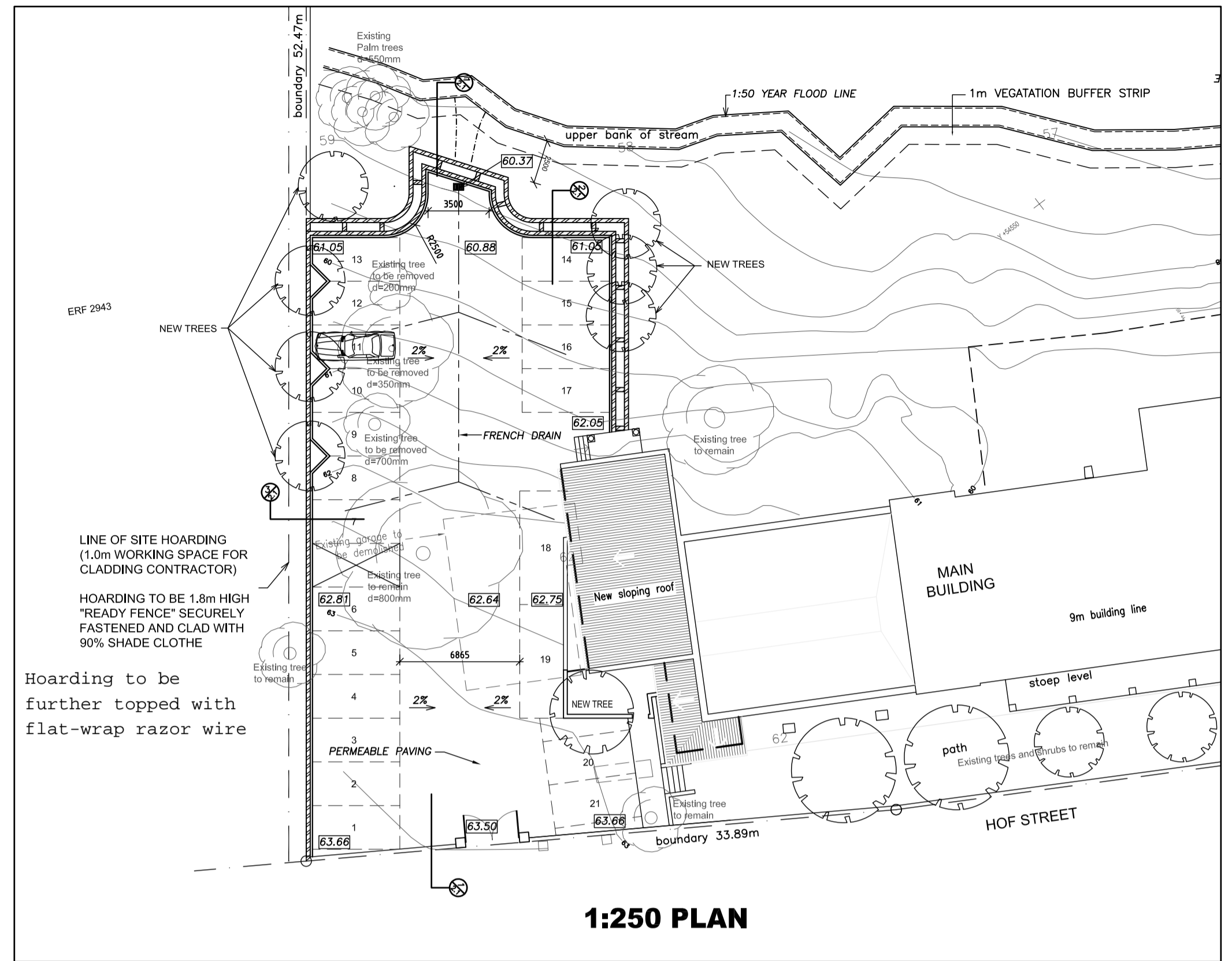
CONSULTING + STRUCTURAL + CIVIL + ENGINEERS + PROJECT MANAGERS
16 Chester Rd | P.O. Box 625 | Rondebosch | 7701 | Cape Town | South Africa
Tel: (021) 689 2377 | Fax: (021) 686 3388 | www.devs.co.za | devs@devs.co.za

Client
SPES BONA GIRL STUDENTS RESIDENCE

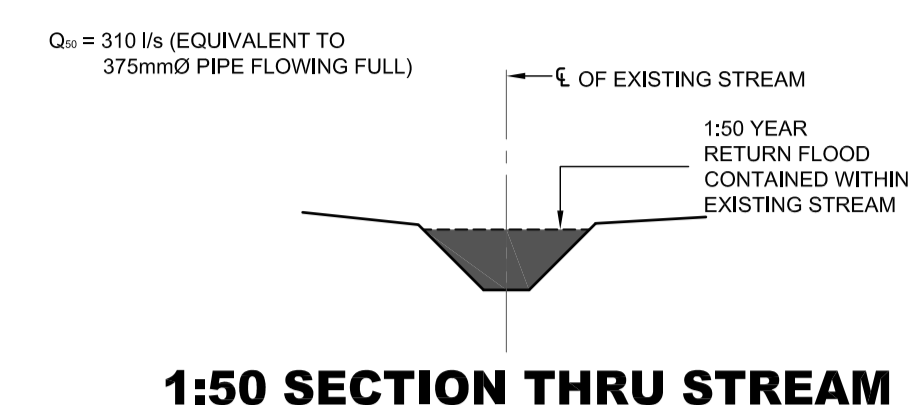
Project
PROPOSED NEW PARKING HOF STREET

Section
PARKING (2) LAYOUT AND LONGSECTION

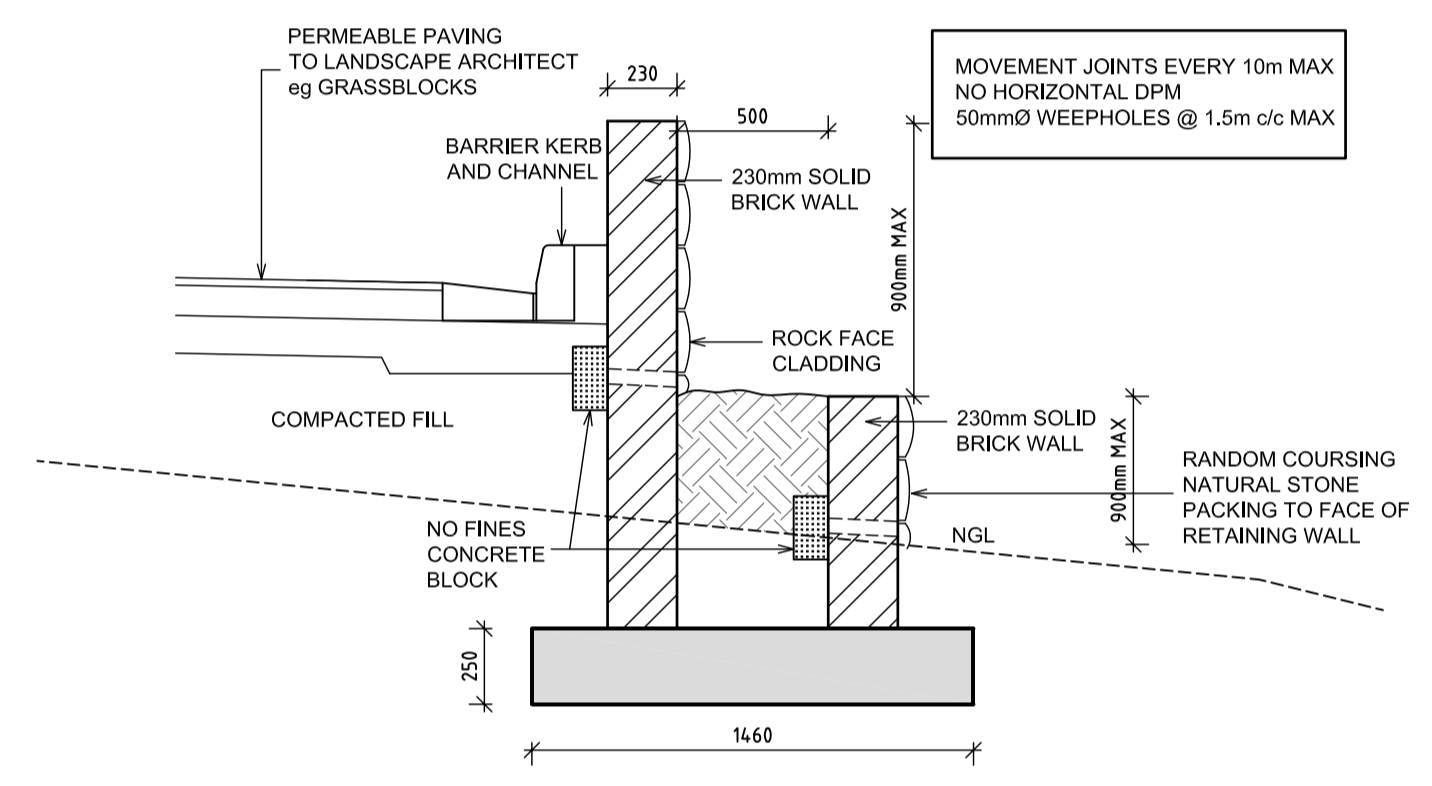
Date MAY 2007	Designed P.M.WIUM	DrwgNo & Rev 1040-C-2.1
Drawn M.S	Checked	



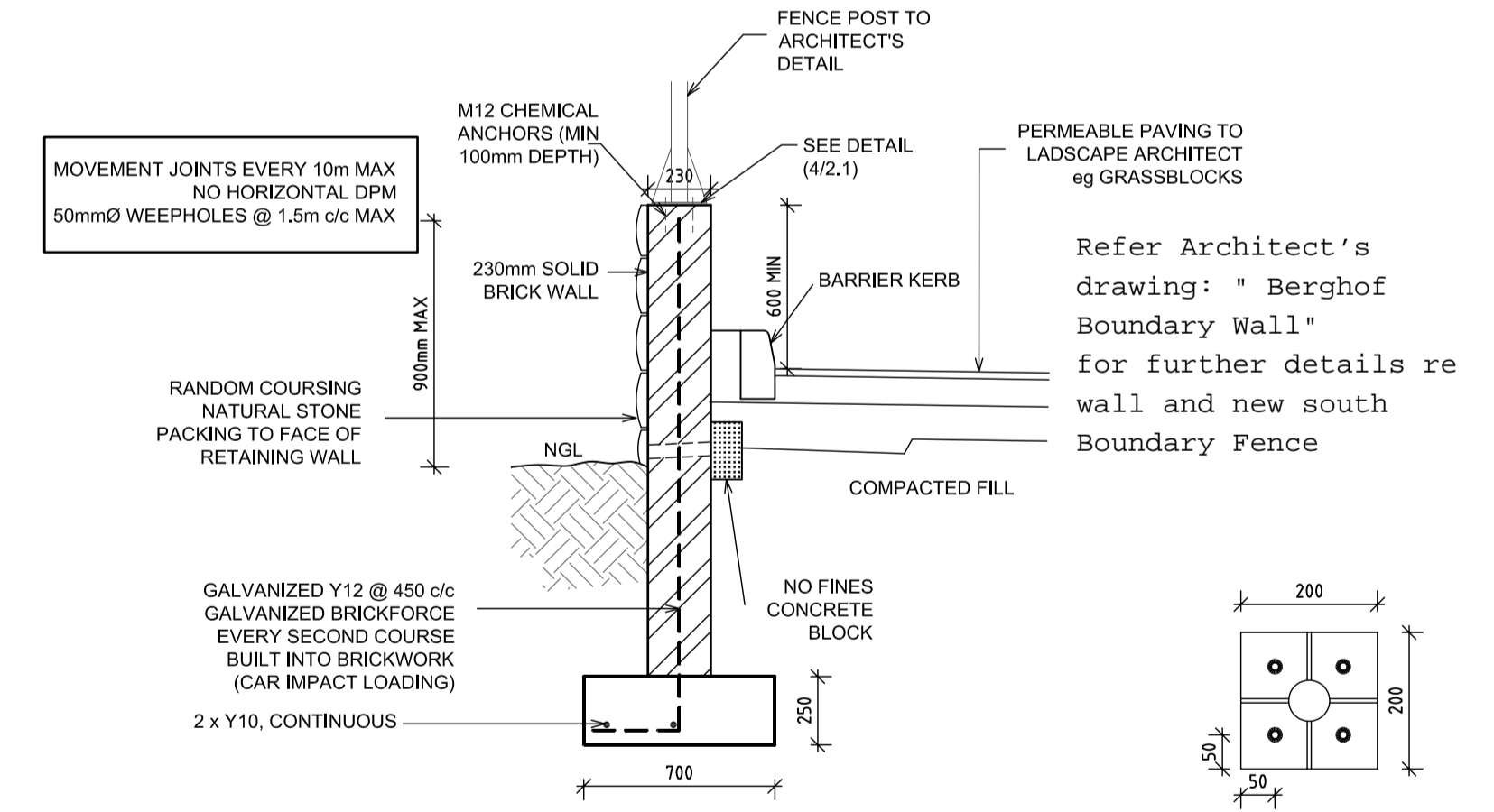
1:250 PLAN



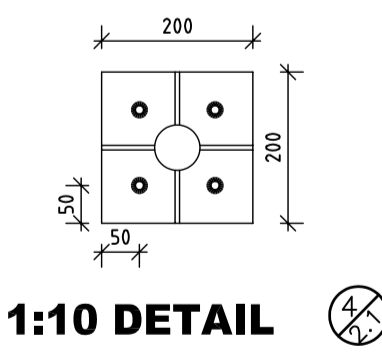
1:50 SECTION THRU STREAM



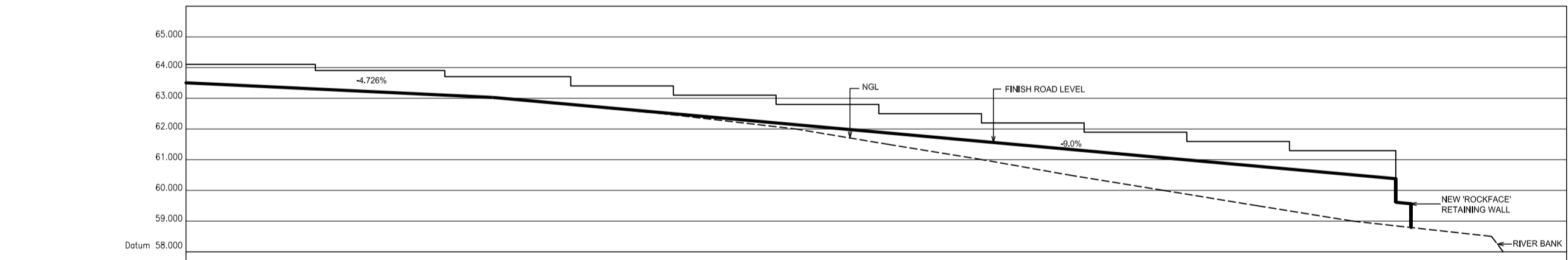
1:25 SECTION



1:25 SECTION



1:10 DETAIL



LONGSECTION

HORIZONTAL SCALE - 1:150		VERTICAL SCALE - 1:150	
GROUND LEVEL	63.00	63.00	63.00
DESIGN ROAD LEVELS			
LEFT EDGE	63.00	63.00	63.00
CENTRE LINE	63.00	63.00	63.00
RIGHT EDGE	63.00	63.00	63.00
GRADES	-4.75%	15.3%	15.3%
VERTICAL CURVES			
SUPERELEVATION			
HORIZONTAL CURVES			
STORMWATER			
SEWERAGE			
CHANGES	0+000	0+400	0+800